

Axis Bar Leaner

Installation Guide

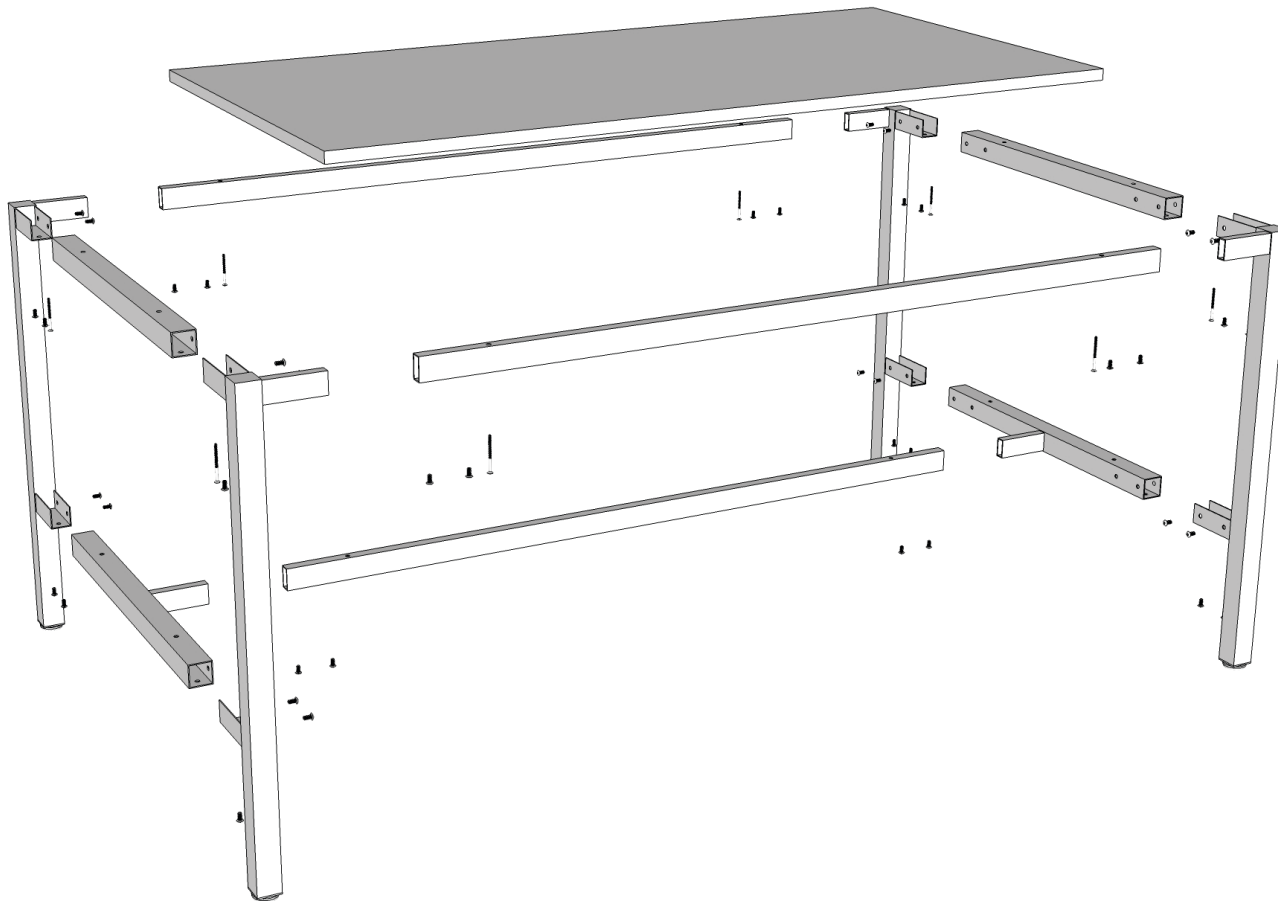
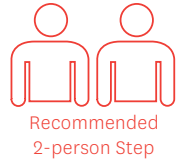
TOOLS REQUIRED: Powered screwdriver



AXIS BAR LEANER

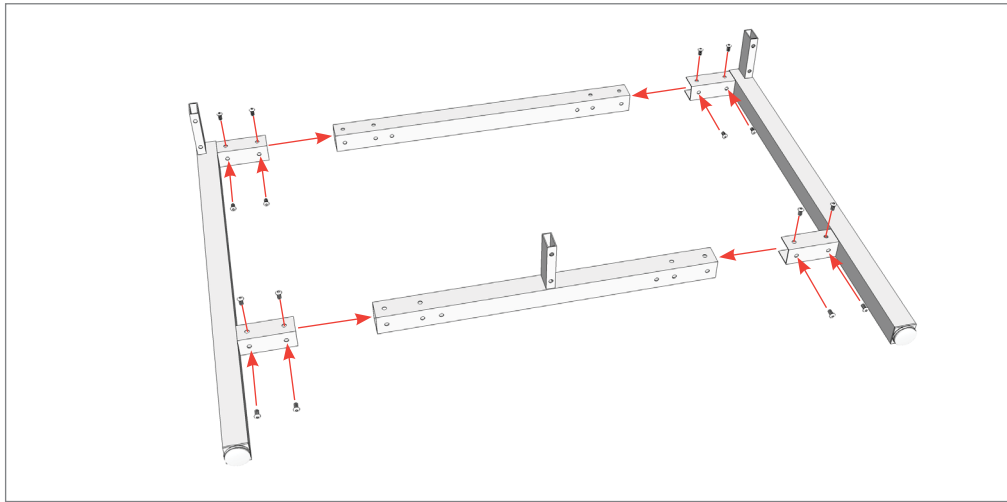
Installation Guide

* To prevent possible scratches or damage, assemble the desk/table on a soft surface such as a blanket, carpet or packaging.

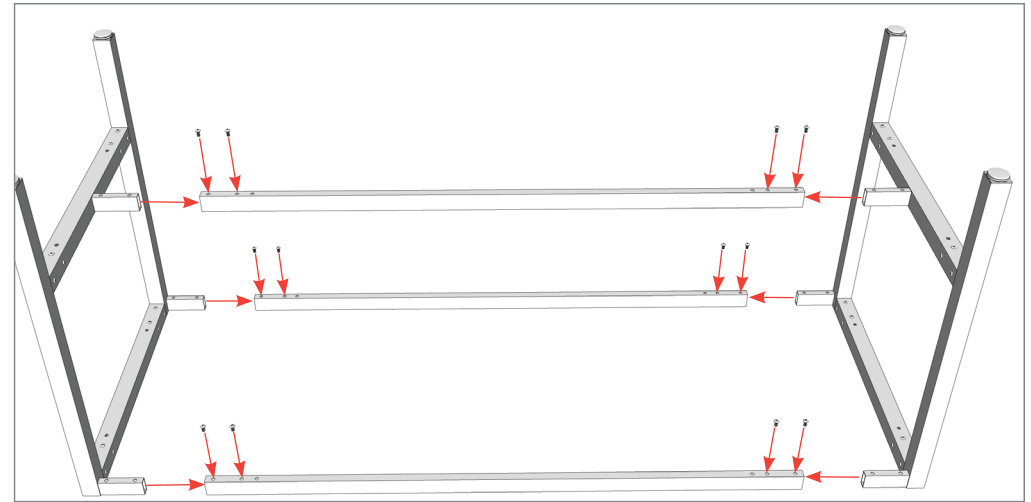


AXIS BAR LEANER

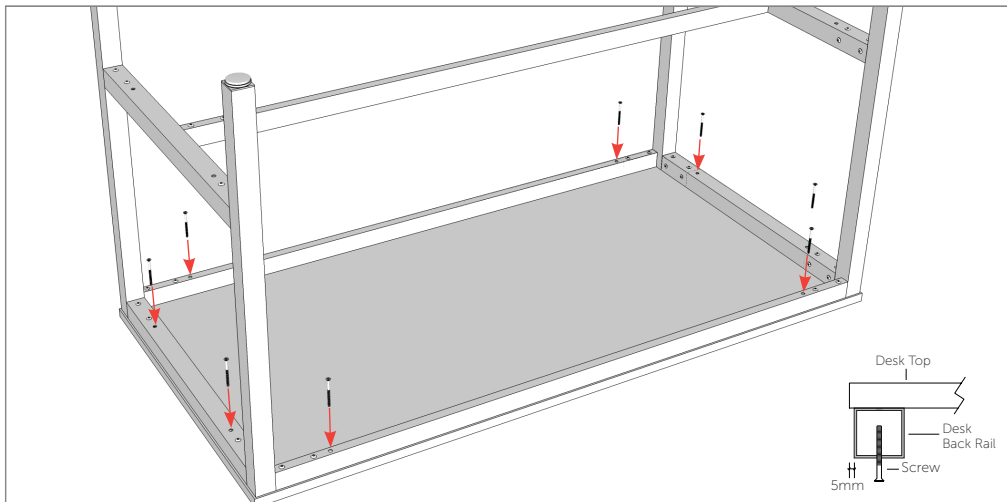
Installation Guide



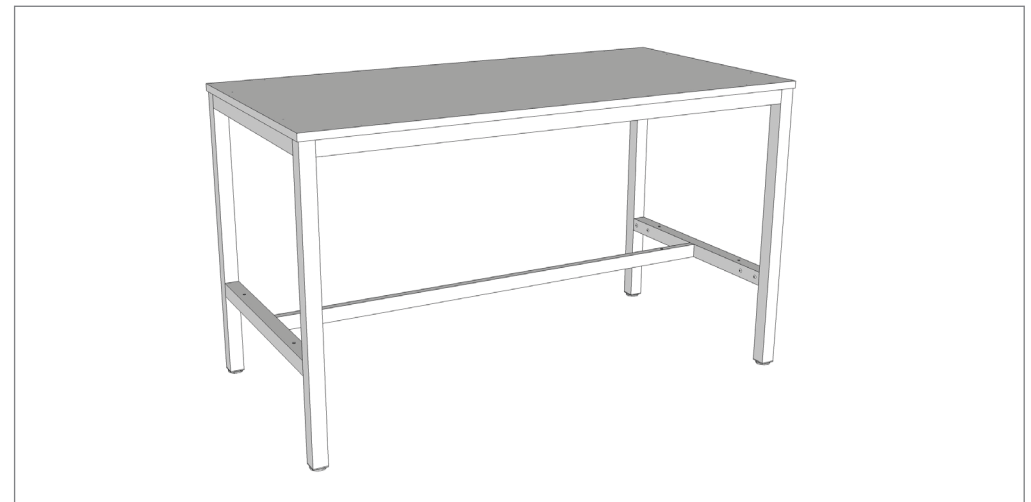
STEP 1: Assemble corner legs and short rails together and fully tighten with provided screws.



STEP 2: Assembly end leg frames and long rails together and fully tighten with provided screws.



STEP 3: Pre-drill holes into the worktop, place worktop on a clean, flat surface and fully tighten the worktop to each rail using the provided screws.



COMPLETE: Using 2 people rotate table into upright position.